



Overview

AP-8068 series are specially designed industrial grade equipment to operate in Access Point, Client (CPE), Repeater or Sensor Access Point (sniffer) mode. It can be used for point-to-point or point-to-multipoint application. It is equipped with two of 4x4 MIMO radios (Multi-transmit and Multi-Receive). AP-8068 delivers a high data rate of up to 1,733 Mbps with auto data rate fall back when signal quality degrades. The radio is based on IEEE802.11ac standard and is equipped with RFNet long distance wireless profiling which automatically selects the suitable data rate, burst rate and frame size to achieve a stable and optimum wireless performance over long distance communication links.

Key Features

- Up to dual 5GHz radio with 4x4 MIMO each
- Up to 3466 Mbps for dual radio (1733Mbps for each radio)*
- IEEE 802.11a/n/ac (5GHz) WAVE2
- Up to 20 dBm output power for one stream
- Support 4 N ports for external antennae per radio
- Support point-to-point and point-to-multipoint link
- Outdoor IP67 casing
- Support IEEE802.3at PoE power input and DC input(36-57V)
- Two Gigabit PoE LAN ports
- Wide range of operation temperature(-25degC to 70degC)
- Surge protection of 6KV
- Supports WPA/WPA2(802.11i), AES CCMP, TKIP
- Channel bandwidth 20/40/80 MHz
- Optical fiber port x 2 (Optional)
- PoE output IEEE802.3af/at
- Safety chain

Standard Package

- One AP-8068 Access Point Module
- Quick Installation Guide
- Pole Mounting Bracket Kit

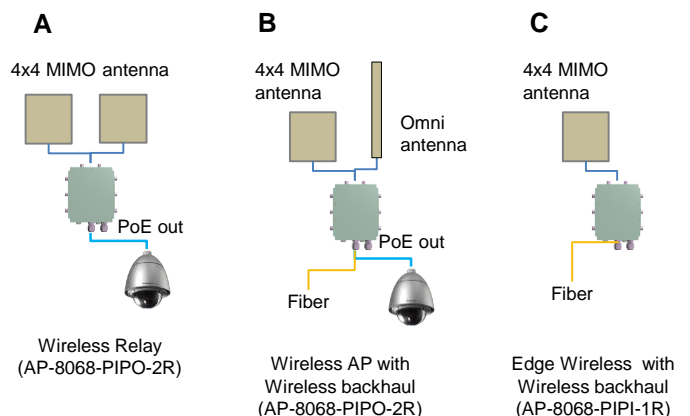
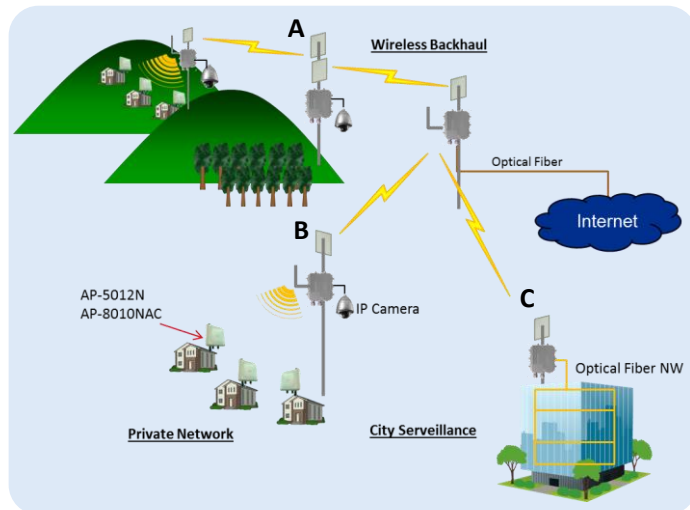
* Depend On Model Type

Applications

The AP-8068 is designed for a wide range of applications which include the following:

- Long range fixed communication for wireless backhaul
- Wireless CCTV surveillance
- Edge wireless with optical fiber backhaul
- Point-to-multipoint wireless with wireless backhaul

Use Case



Model

AP-8068-PIPI-2R

- Dual radio of IEEE802.11a/n/ac 4x4 MIMO
- Dual LAN 10/100/1000 Base-T PoE ports for input power redundancy.
- Dual fiber port

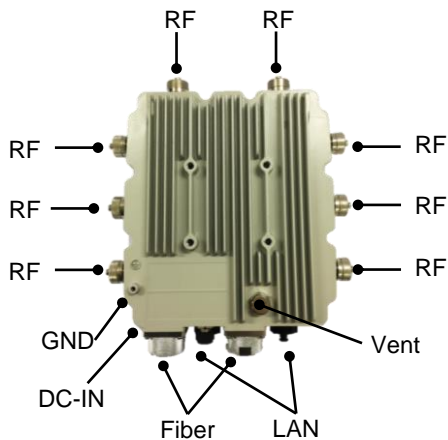
AP-8068-PIPO-2R

- Dual radio of IEEE802.11a/n/ac 4x4 MIMO
- IEEE802.3af/at PoE support
- Dual fiber port

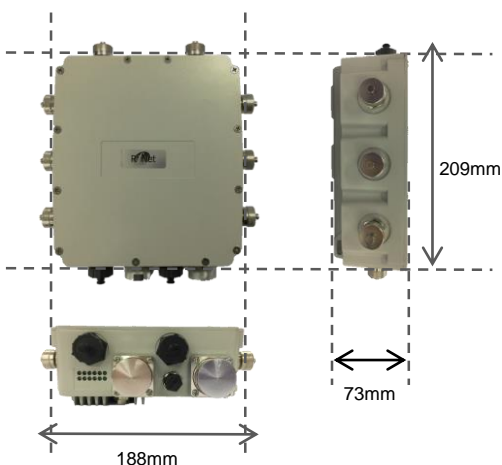
AP-8068-PIPI-1R

- Single radio of IEEE802.11a/n/ac 4x4 MIMO
- Dual LAN 10/100/1000 Base-T PoE ports for input power redundancy.
- Dual fiber port

Interfaces



Dimension



Wireless	
Wireless LAN Standards	IEEE 802.11a/n/ac WAVE2
11ac mode	Dual 4x4 MiMo radio up to 1733 Mbps
Operating Frequencies	5.150 - 5.825GHz
Antenna Type	External , 4x4
Operation Mode	Wireless Access Point Wireless Repeater Wireless Client Sensor AP (Sniffer)
Channel Bandwidth	20/40/80 MHz
Tx Power	20 dBm per stream
Security	<ul style="list-style-type: none"> • WEP -64, 128, 152 Bits encryptions • WPA/WPA2(802.11i)-Personal Encryption - AES CCMP, TKIP • WPA/WPA2(802.11i)-Enterprise (AP and CL Only) Encryption - AES CCMP, TKIP • Authentication client mode- EAP-TLS, EAP-TTLS and EAP-PEAP • Authentication AP mode - EAP/802.1x (RADIUS) • Suppress SSID
Others	<ul style="list-style-type: none"> • Support Dynamic Frequency Selection(DFS) • Transmit Power Control (TPC)

Interface	
Power IN	IEEE802.3at, DC in (36-57V)
LAN port	2x10/100/1000 BaseT
Antenna port	AP-8068-PIPI-2R, AP-8068-PIPO-2R : 8 AP-8068-PIPI-1R : 4
Optical Fiber port	2
LED	LAN1/LAN2/OF1/OF2/DC/WLAN1/ WLAN2
Environmental	
IP Rating	IP67
Operating temperature	-25°C to +70°C
Storage temperature	-30°C to +85°C
Humidity	10% ~95% max non-condensing
Wind survivability	180km/h
Lightning protect	6KV for LAN port/power port
General	
Dimension LxWxH	245 X 225 X 75 mm (Include panel connectors)
Weight	2.40 kg
Power consumption	Max. is 28.6W 1 Radio – 19W typical, 2 Radio – 22W typical
Safety Wire	Yes
Regulatory	CE, RoHS
Mounting	Wall and Pole Mounting

Management Function	
Management	<ul style="list-style-type: none"> • Web management • SSH/Telnet • SNMP V1/V2c/V3, SNMP trap • Syslog • Time setting (Manual /NTP) • Access Point monitoring (ping external device in client mode only)
Security	<ul style="list-style-type: none"> • MAC address filtering • Device administration access level <ul style="list-style-type: none"> - Normal user (monitoring and basic setting) - Super user (advance setting & firmware upgrade)
Network	<ul style="list-style-type: none"> • Prioritization of data type • Static and dynamic DHCP client • DHCP server • Multicast Snooping

Specification are subject to changes without prior notice due to engineering improvement. All brands and product names are trademarks or registered trademarks of their respective holders. *Wireless range and performance may vary with environment.

Distributed by



Wireless • Innovation • Networking
<http://www.rfnetech.com>