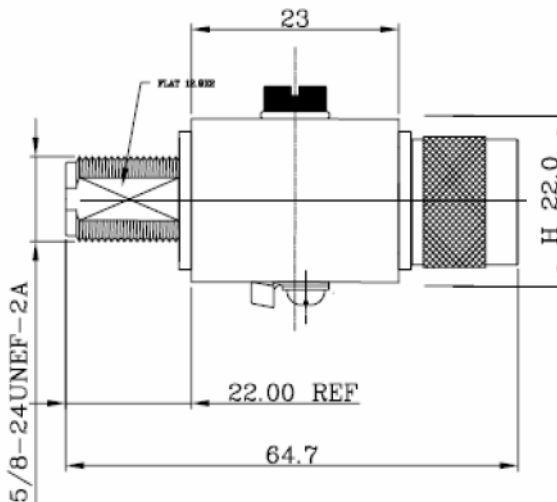
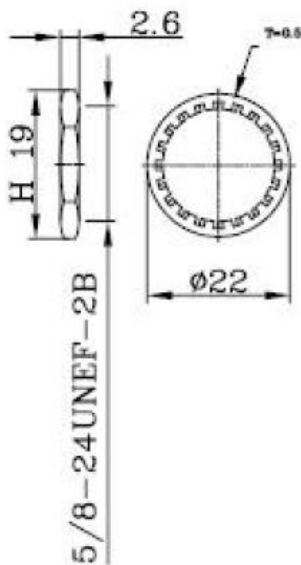
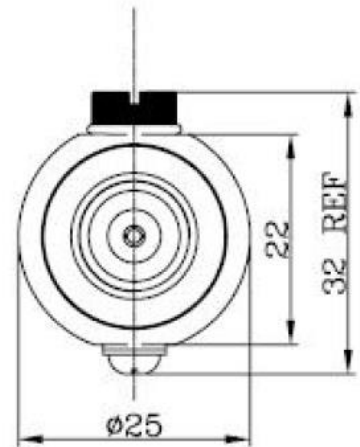




SPECIFICATIONS		
Model	RFARR-03	
Freq. Range-GHz	2.0 ~ 6.0	
Insertion Loss @	2.4 GHz	5.7 GHz
	0.4 dB	0.6 dB
Other Frequency-dBi	0.9 (Max)	
V.S.W.R.	1:1.7	
Impedance-Ω	50	
RF Power-W	15	
Gas Tube Impulse-V	700	
Gas Tube Insulation-Ω	10000M	
Max Withstand Current-KV	5	
Connector Type	N-Plug (Male)	
Dimension-mm	Φ22 x 183	
Weight-gm	70	
Packaging	Individual Box	

Installation Sketch



Specification are subject to changes without prior notice due to engineering improvement. All brands and product names are trademarks or registered trademarks of their respective holders. *Wireless range and performance may vary with environment.